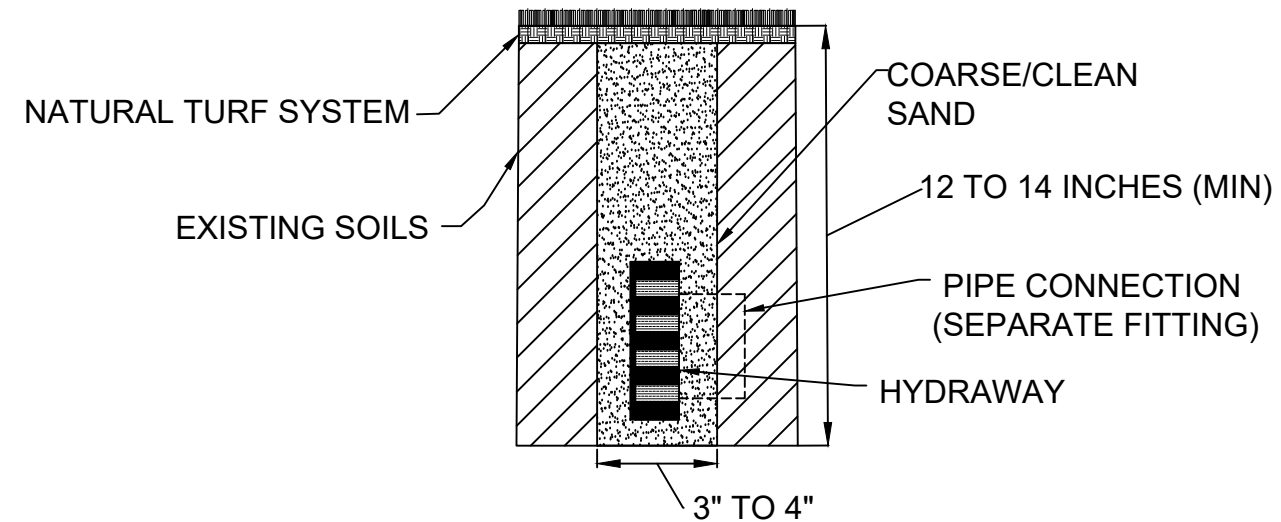


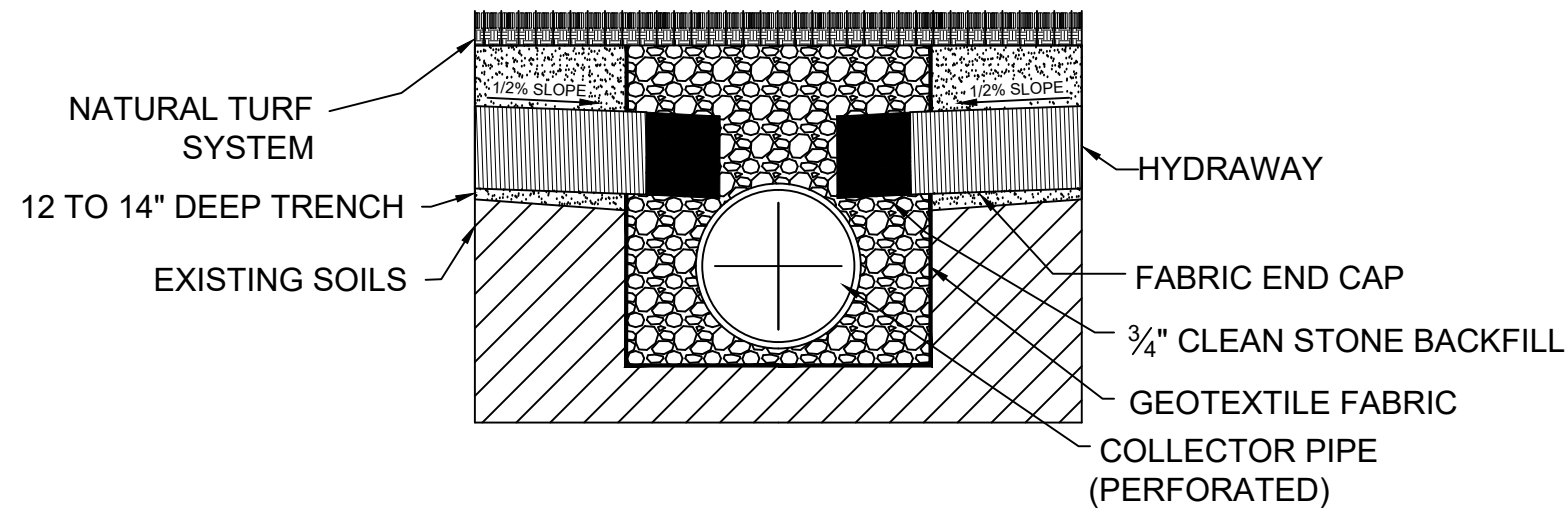
TYPICAL DETAILS FOR NATURAL TURF FIELDS

GRAVITY FED



TYPICAL SUBSURFACE DRAIN DETAIL

HYDRAWAY FLAT DRAIN CONNECTION TO PERFORATED PERIMETER PIPE UNDERDRAIN



TYPICAL DRAIN TERMINATION DETAIL

HYDRAWAY FLAT DRAIN CONNECTION TO PERFORATED PERIMETER PIPE UNDERDRAIN



THE INFORMATION CONTAINED HEREIN IS OF A PROPRIETARY NATURE AND IS SUBMITTED IN CONFIDENCE FOR USE OF THE CLIENTS OF INTECH ANCHORING SYSTEMS

Issue / Revisions:

| Rev | Description | Date |
|-----|-------------|------|
| | | |
| | | |
| | | |
| | | |
| | | |
| | | |
| | | |
| | | |
| | | |
| | | |

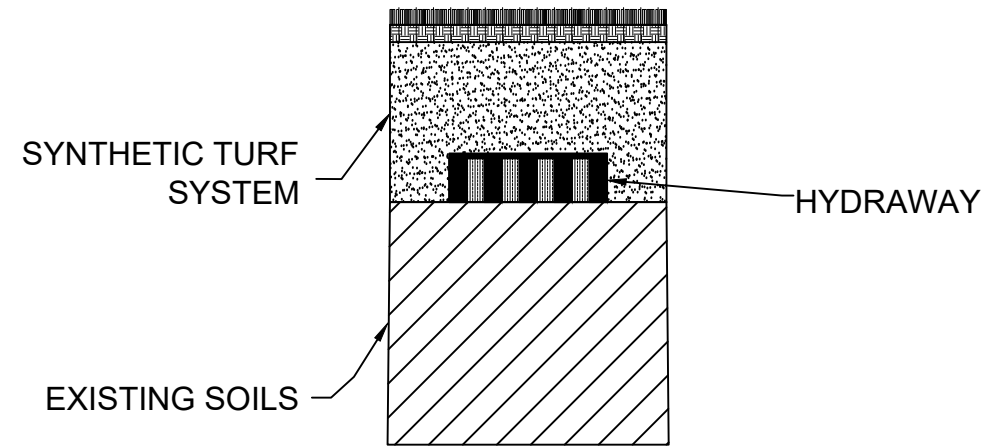
SHEET TITLE: Hydraway Installation
 SHEET DESCRIPTION: Natural Turf Details
 DATE: 10/08/2021
 DRAWN BY: STH
 CHECKED BY: STH

SHEET:

HYD

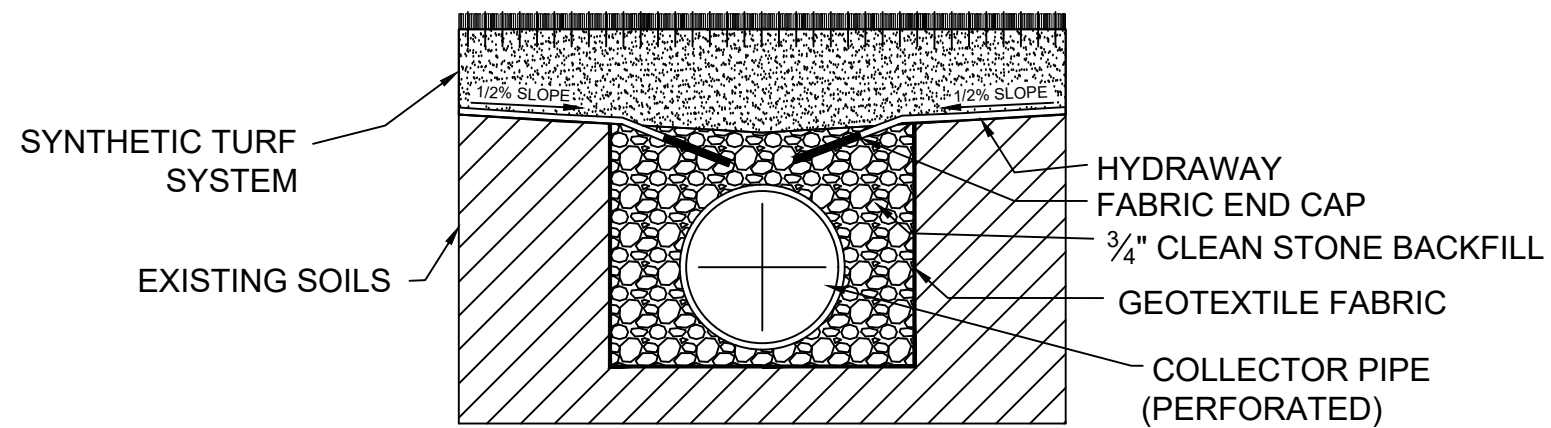
TYPICAL DETAILS FOR SYNTHETIC TURF FIELDS

GRAVITY FED



TYPICAL SUBSURFACE DRAIN DETAIL

HYDRAWAY FLAT DRAIN CONNECTION TO PERFORATED PERIMETER PIPE UNDERDRAIN



TYPICAL DRAIN TERMINATION DETAIL

HYDRAWAY FLAT DRAIN CONNECTION TO PERFORATED PERIMETER PIPE UNDERDRAIN



THE INFORMATION CONTAINED HEREIN IS OF A PROPRIETARY NATURE AND IS SUBMITTED IN CONFIDENCE FOR USE OF THE CLIENTS OF INTECH ANCHORING SYSTEMS

Issue / Revisions:

| Rev | Description | Date |
|-----|-------------|------|
| | | |
| | | |
| | | |
| | | |
| | | |
| | | |
| | | |
| | | |
| | | |
| | | |

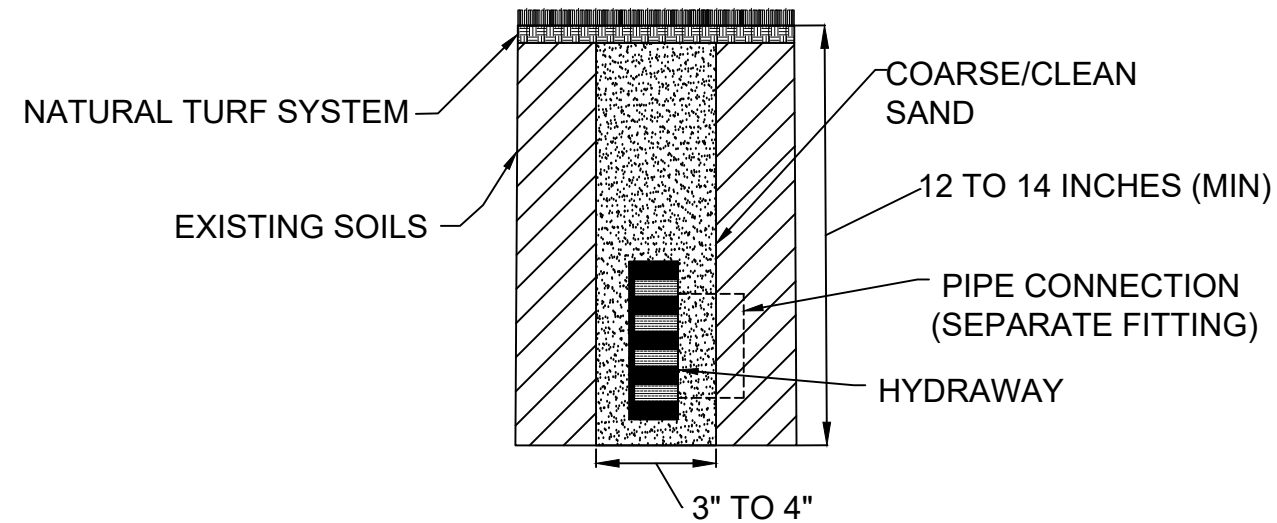
SHEET TITLE: Hydraway Installation
 SHEET DESCRIPTION: Synthetic Turf Details
 DATE: 10/08/2021
 DRAWN BY: STH
 CHECKED BY: STH

SHEET:

HYD

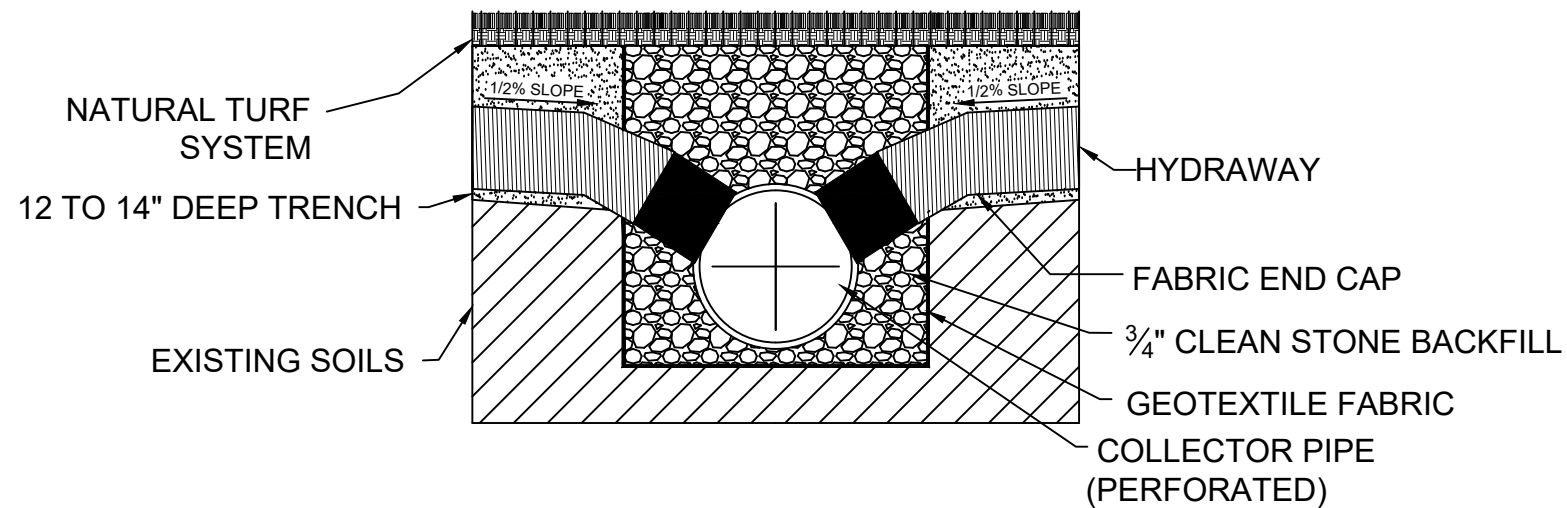
TYPICAL DETAILS FOR NATURAL TURF FIELDS

HARD CONNECTION



TYPICAL SUBSURFACE DRAIN DETAIL

HYDRAWAY FLAT DRAIN CONNECTION TO PERFORATED PERIMETER PIPE UNDERDRAIN



TYPICAL DRAIN TERMINATION DETAIL

HYDRAWAY FLAT DRAIN CONNECTION TO PERFORATED PERIMETER PIPE UNDERDRAIN



THE INFORMATION CONTAINED HEREIN IS OF A PROPRIETARY NATURE AND IS SUBMITTED IN CONFIDENCE FOR USE OF THE CLIENTS OF INTECH ANCHORING SYSTEMS

Issue / Revisions:

| Rev | Description | Date |
|-----|-------------|------|
| | | |
| | | |
| | | |
| | | |
| | | |
| | | |
| | | |
| | | |
| | | |
| | | |

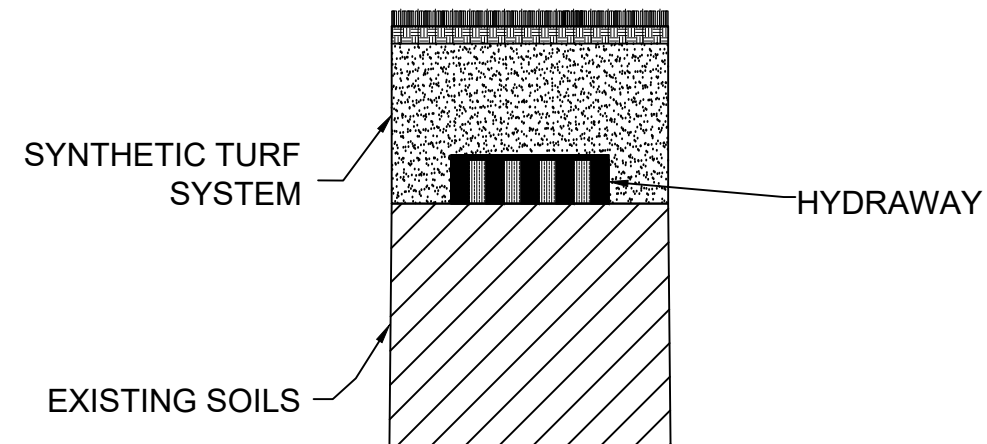
SHEET TITLE: Hydraway Installation
 SHEET DESCRIPTION: Natural Turf Details
 DATE: 10/08/2021
 DRAWN BY: STH
 CHECKED BY: STH

SHEET:

HYD

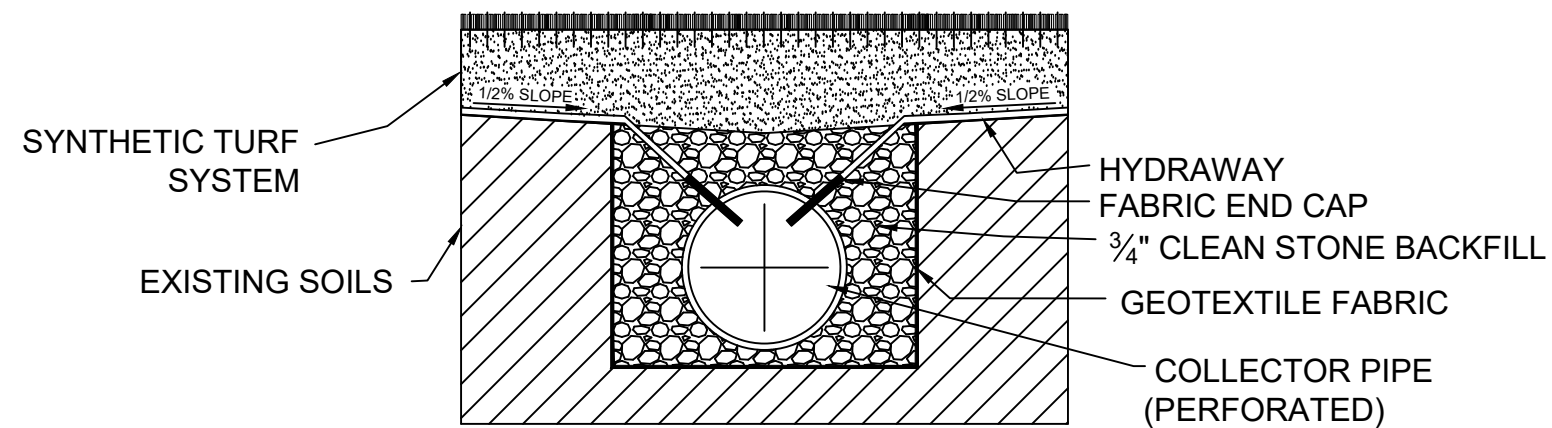
TYPICAL DETAILS FOR SYNTHETIC TURF FIELDS

HARD CONNECTION



TYPICAL SUBSURFACE DRAIN DETAIL

HYDRAWAY FLAT DRAIN CONNECTION TO PERFORATED PERIMETER PIPE UNDERDRAIN



TYPICAL DRAIN TERMINATION DETAIL

HYDRAWAY FLAT DRAIN CONNECTION TO PERFORATED PERIMETER PIPE UNDERDRAIN



THE INFORMATION CONTAINED HEREIN IS OF A PROPRIETARY NATURE AND IS SUBMITTED IN CONFIDENCE FOR USE OF THE CLIENTS OF INTECH ANCHORING SYSTEMS

Issue / Revisions:

| Rev | Description | Date |
|-----|-------------|------|
| | | |
| | | |
| | | |
| | | |
| | | |
| | | |
| | | |
| | | |
| | | |
| | | |

SHEET TITLE: Hydraway Installation
 SHEET DESCRIPTION: Synthetic Turf Details
 DATE: 10/08/2021
 DRAWN BY: STH
 CHECKED BY: STH

SHEET:

HYD